



PRODUCT INFORMATION



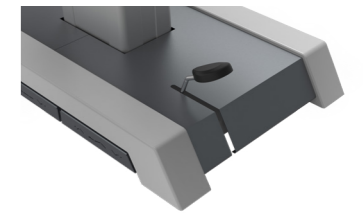
ELECTRIC CONTROL SYSTEMS

The Lux has 1 column and 3 actuators, all of which can quickly be controlled through the handset controls. The Handset also features Lock and Reset controls for added safety and function.



RESET AND SAFETY LOCK BUTTONS

The Reset button automatically moves the chair into a seated position ideal for clients getting on or off. The safety lock feature ensures there will be no unexpected movement during treatments and can be used as an added safety lock when not in use.



RETRACTABLE WHEEL SYSTEM

The foot operated retractable wheel system allows for ease of maneuverability. This system is designed to move the bed into place without a patient on the bed. When not in use the wheels can be retracted to provide a stable and solid base.



FLIP BACK AND REMOVABLE ARMRESTS

The removable armrest allow better patient access when getting on and off the chair. The armrests adjust in unison with the seat, and when not needed can quickly be flipped back out of the way. The armrests can then be removed entirely if not in use.



IN-BUILT FOOT CONTROLS

The Centurion LUX has an in-built foot controller on both sides of the base. You can adjust the height, tilt angle and backrest with these controls. There is also a switch to adjust the angle of the footrest on the footrest section.

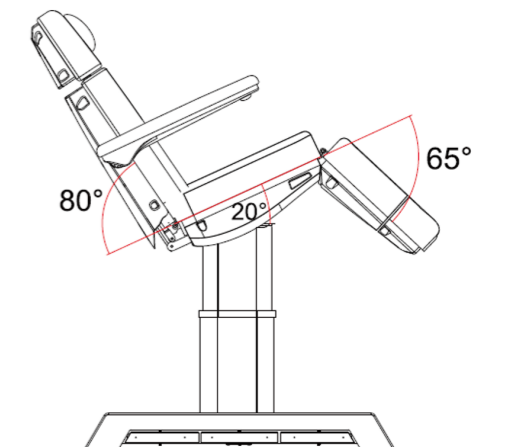
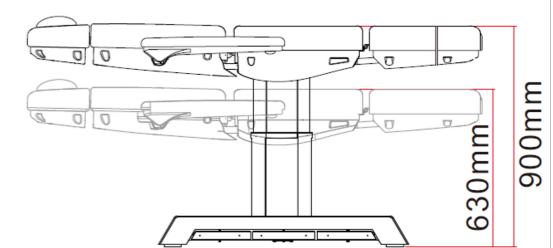
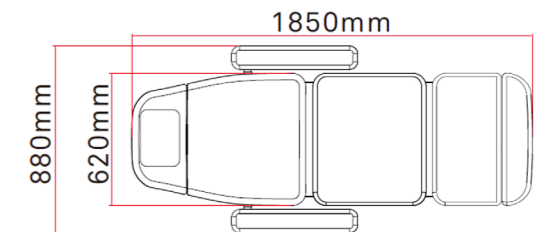


EXTENDABLE FOOTREST

The footrest can be extended to create a tabletop of 1950mm. Ideal ankle support for patients of diverse stature.

KEY SPECIFICATIONS

COUNTRY OF ORIGIN	PRC
CUSHIONING	100mm Molded Foam, Soft to Medium Finish
UPHOLSTERY	Semi-PU
ADJUSTMENTS	Backrest: +80° Seat Tilt: + 20° Footrest Adjustment: -65° Extendable footrest: +100mm Trendelenburg Tilt: -20°
SAFE WORKING LOAD	175kg
CONTROL SYSTEM	Electric Hand-switch including Safety Lock Function In-built Safety Lock and Reset buttons In-built foot controller systems
WARRANTY	Structural: 5 years Hardware: 3 years Motor: 2 years Control box: 2 years Foot switch: 2 years Upholstery: To arrive in perfect condition
MOTOR	Origin PRC Brand: Jiechang Lift force: 6,000N Speed: 13mm/sec Height adjustment (min to max): 260mm in 20 seconds Speed test load: 175kg
SHIPPING	1410 x 690 x 670mm 109kg



Centurion LUX - Column Lift Table

An electric examination chair specifically designed for Plastic Surgery, Skin Treatments, Dermatology, Podiatry, General Examination or as a multi-modality procedure chair. The power-driven height adjustment provides greater access for elderly and incapacitated patients while also achieving an ergonomic working platform for the practitioner.

● ○ WHITE OR GREY SEMI-PU FABRIC

Marketed by:
Majac Medical Products Pty. Ltd.
Tel: 1300 138 578 • Int: +61 7 3265 6355
Email: sales@majacmedical.com.au
www.majacmedical.com.au



FS 540017

Athlegen is a brand of Alevo Pty Ltd © 2022
All dimensions (shown in mm) and specifications are approximate and are subject to manufacturing tolerances.