



"The decision to align ourselves and partner with Athlegen was simple. The synergies were obvious.

As we grow and continue to be the leaders in natural skincare, health and wellbeing, we appreciate the importance of being unique and innovative. This unique point of difference that has allowed us to stand out in the market place has successfully been complimented by the Athlegen brand.

We will continue to utilise Athlegen products, services and advice, and are looking forward to an exciting long-term relationship."

**COSIMO DIDHIERA**  
PROPERTY/PROJECT MANAGER  
JURLIQUE INTERNATIONAL PTY LTD

## Pro-Lift: Venus

Featuring a motorised backrest and seat tilt, this versatile and sturdy table effortlessly converts from a luxurious treatment chair to a completely flat table. Ideal for remedial massage, waxing, electrolysis, manicures, relaxation and specialised beauty treatments.

SELECT FROM OVER 30 COLOURS AND FABRIC CHOICES INCLUDING POLYURETHANE (PU), VINYL (PVC) AND GENUINE ITALIAN LEATHER:





**ADJUSTABLE HEAD CRADLE & PRONE ARMREST**

The sturdy integrated head cradle and armrest can be adjusted to your preferred angle for superb patient comfort. An optional removable armrest is also available.



**EXTENDABLE FOOTREST**

The footrest can be extended to create a tabletop of over two meters. Ideal ankle support for patients of diverse stature.



**MOTORISED BACKREST & SEAT TILT**

Enabling effortless adjustment, the lift-up back and seat tilt move together. As the backrest raises, the seat gently tilts, maintaining a comfortable seated position. Perfect for a spa and beauty treatments.



**BASE STYLE**

Choose between our Standard base with concealed in-line wheels and floor-levelling feet or our lockable Castor base for easy manoeuvrability. All wheels feature TPE rubber compound tread to protect your floors.



**OPTIONAL MANICURE ARMRESTS**

Manicure armrests allow seated clients to relax completely. They can be entirely removed or flipped out of the way when clients need to get on and off the table or if increased practitioner access is necessary.

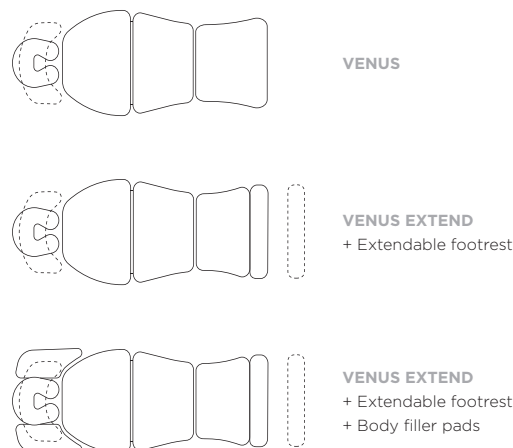


**TOP SHAPE**

Choose between our straight-sided top or contoured top which increases access to the centre of the table. Both tops have a curved shoulder section that allows patients to comfortably access the armrest.

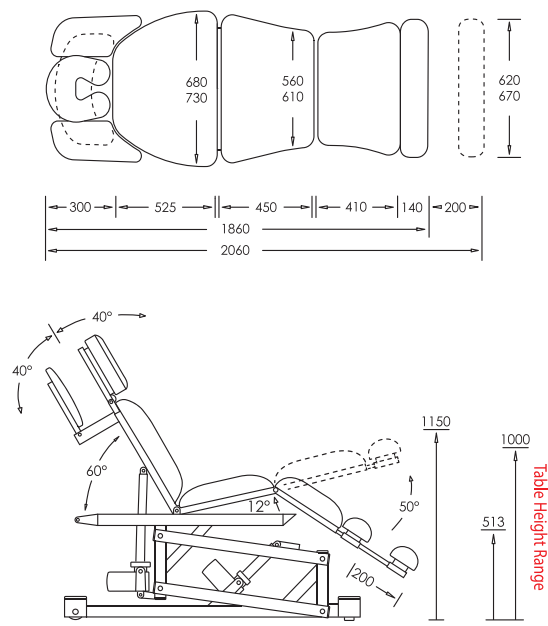
**KEY OPTIONS**

	STANDARD	OPTIONAL
DUNLOP CUSHIONING	55mm, medium finish	Enduro (70mm, firm finish) Luxura (80mm, luxurious finish) Comfort (90mm, medium finish)
TOP SHAPE	Contoured	Straight sides
PRONE ARMREST	Non-removable	Removable
MANICURE ARMRESTS	N/A	All models
EXTENDABLE FOOTREST	Venus Extend	N/A
BODY FILLER PADS	N/A	All models
BASE STYLE	Concealed in-line wheels	75mm locking castors
HEIGHT FOOTSWITCH	Single	One on each side of the table
BACKREST FOOTSWITCH	Single	One on each side of the table
TABLE WIDTH	680mm	730mm



**KEY SPECIFICATIONS**

ADJUSTMENTS	Motorised backrest: +60° Manual head cradle: +40° to -40° Motorised seat tilt +12° Manual manicure armrests (optional): lift away +110° Manual foot section: -50° Extendable footrest (Venus Extend): +200mm
SAFE WORKING LOAD	220kg
MOTOR	Lift force: 10,000N Speed: 37mm/sec Height adjustment (min to max): 487mm in 13 seconds Speed test load: 180kg
SECONDARY MOTOR	Lift force: 4,000N Speed: 11mm/sec
FOOTSWITCH	Ergonomic low profile design (20mm) Stainless steel Pneumatic control
SHIPPING	1930 x 730 x 720mm 125kg
WARRANTY	Structural: 15 years Hardware: 5 years Motor: 3 years Footswitch: 1 year Upholstery: To arrive in perfect condition



# Pro-Lift: Beauty Range

## BEAUTY & VENUS COMPARISON

TABLE/MODEL	BACKREST EXTENSION	MANICURE ARMRESTS	EXTENDABLE FOOTREST	BODY FILLER PADS	TABLE LENGTH
BEAUTY S	○	○	×	×	1840 to 1990mm (with backrest extension)
VENUS	×	○	×	○	1860mm
VENUS EXTEND	×	○	●	○	1860 to 2060mm (with extendable footrest)

## KEY FEATURES

TABLE	BEAUTY S	VENUS & VENUS EXTEND
HEIGHT RANGE	500 to 987mm	513 to 1000mm
MANUAL BACKREST	×	×
LIFT-ASSIST BACKREST	●	×
MOTORISED BACKREST	×	●
MOTORISED SEAT TILT	×	●
MANUAL KNEE SECTION	×	×
LIFT-ASSIST KNEE SECTION	●	×
ADJUSTABLE HEAD CRADLE & ARMREST	○	●
REMOVABLE PRONE ARMREST	×	○
FOLDAWAY ARMREST	○	×

## MOTOR

LIFT FORCE	10,000N	10,000N
SPEED	37mm/sec	37mm/sec
HEIGHT ADJUSTMENT (MIN TO MAX)	487mm in 13 secs	487mm in 13 secs
SAFE WORKING LOAD	220kg	220kg

## SECONDARY MOTOR

LIFT FORCE	N/A	4,000N
SPEED	N/A	11mm/sec
SAFE WORKING LOAD	N/A	220kg
FOOTSWITCH	●	●
ADDITIONAL FOOTSWITCH	○	○

## DUNLOP CUSHIONING

STANDARD	●	●
ENDURO	○	○
LUXURA	○	○
COMFORT	○	×
FIRM	×	×
ULTRA FIRM	×	×

## UPHOLSTERY

TABLE	BEAUTY S	VENUS
EVOLVE PU OR ENCORE PVC	●	●
ULTRA PU, ULTIMATE PVC OR GENUINE ITALIAN LEATHER	○	○

## BASE STYLE

STANDARD BASE WITH IN-LINE WHEELS & LEVELLING FEET	●	●
75MM LOCKING CASTOR BASE	○	○

## TABLE WIDTH & TOP SHAPE

TABLE WIDTH	680 or 730mm	680 or 730mm
CONTOURED TOP	×	●
STRAIGHT-SIDED TOP	●	○

## WARRANTY

STRUCTURAL	15 years	15 years
HARDWARE	5 years	5 years
MOTOR	3 years	3 years
FOOTSWITCH	1 year	1 year
UPHOLSTERY	To arrive in perfect condition	To arrive in perfect condition
MOTOR WARRANTY UPGRADE (5 OR 10 YEARS)	○	○

## OPTIONAL EXTRAS

DISPOSABLE FACE CRADLE COVERS  
 DISPOSABLE TABLE COVER  
 FITTED TERRY TOWELLING COVER  
 SUPINE PAD  
 LEG BOLSTER  
 ADDITIONAL FOOTSWITCH

## KEY

● STANDARD  
 ○ OPTIONAL  
 × NOT APPLICABLE

# Pro-Lift: Podiatry Range

## KEY FEATURES

TABLE	PODIATRY	T'MENT 930	VENUS	VENUS EXTEND
HEIGHT RANGE	513 to 1000mm	513 to 1000mm	513 to 1000mm	513 to 1000mm
TABLE LENGTH	1860mm	1860mm	1860mm	1860 to 2060mm
MANUAL BACKREST	●	●	×	×
MOTORISED BACKREST	×	×	●	●
MOTORISED SEAT TILT	●	×	●	●
ADJUSTABLE LEG SECTION (+40° TO -90°)	●	×	×	×
ADJUSTABLE LEG SECTION (-50°)	×	×	●	●
EXTENDABLE FOOTREST	×	×	×	●
BODY FILLER PADS	×	×	○	○
MANICURE ARMRESTS	×	×	○	○
MOULDED ARMRESTS	●	×	×	×
ADJUSTABLE HEAD CRADLE & ARMREST	×	×	●	●
REMOVABLE PRONE ARMREST	×	×	○	○
ADJUSTABLE HEAD SECTION	×	●	×	×
FACE HOLE	○	○	×	×

## MOTOR

LIFT FORCE	10,000N	10,000N	10,000N
SPEED	37mm/sec	37mm/sec	37mm/sec
HEIGHT ADJUSTMENT (MIN TO MAX)	487mm in 13 secs	487mm in 13 secs	487mm in 13 secs
SAFE WORKING LOAD	220kg	220kg	220kg

## SECONDARY MOTOR

LIFT FORCE	4,000N	N/A	4,000N
SPEED	11mm/sec	N/A	11mm/sec
SAFE WORKING LOAD	220kg	N/A	220kg
FOOTSWITCH	●	●	●
ADDITIONAL FOOTSWITCH	○	○	○

## TABLE WIDTH

STANDARD	610 or 660mm	610 or 660mm	680mm
OPTIONAL	700mm	710mm	730mm

## TOP SHAPE

TABLE	PODIATRY	TREATMENT 930	VENUS
CONTOURED TOP	×	×	●
SPLAYED LEG SECTION	○	×	×
STRAIGHT-SIDED TOP	●	●	○

## DUNLOP CUSHIONING

STANDARD	●	●	●
ENDURO	○	○	○
LUXURA	○	○	○
COMFORT	×	×	○
FIRM	×	○	×
ULTRA FIRM	×	○	×

## UPHOLSTERY

EVOLVE PU	●	●	●
ENCORE PVC	●	●	●
ULTRA PU	○	○	○
ULTIMATE PVC	○	○	○
GENUINE ITALIAN LEATHER	○	○	○

## BASE STYLE

STANDARD BASE WITH IN-LINE WHEELS & LEVELLING FEET	●	●	●
75MM LOCKING CASTOR BASE	○	○	○

## WARRANTY

STRUCTURAL	15 years	15 years	15 years
HARDWARE	5 years	5 years	5 years
MOTOR	3 years	3 years	3 years
FOOTSWITCH	1 year	1 year	1 year
UPHOLSTERY	To arrive in perfect condition	To arrive in perfect condition	To arrive in perfect condition
MOTOR WARRANTY UPGRADE (5 OR 10 YEARS)	○	○	○

## OPTIONAL EXTRAS

DISPOSABLE FACE CRADLE COVERS  
DISPOSABLE TABLE COVER  
FITTED TERRY TOWELLING COVER  
SUPINE PAD  
LEG BOLSTER  
ADDITIONAL FOOTSWITCH

## KEY

● STANDARD  
○ OPTIONAL  
× NOT APPLICABLE

# Massage & Natural Therapies Range

## KEY FEATURES

RANGE	VALUE-LIFT	PRO-LIFT							
TABLE	MASSAGE	ACCESS STANDARD	ACCESS RMS	ACCESS ABR	BEAUTY S	VENUS	VENUS EXTEND	TREATMENT ONE	TREATMENT AHS
HEIGHT RANGE	530 to 825mm	475 to 962mm	513 to 1000mm	513 to 1000mm	500 to 987mm	513 to 1000mm	513 to 1000mm	475 to 962mm	475 to 962mm
TABLE LENGTH	1860mm	1860 to 2060mm	1860 to 2060mm	1860 to 2060mm	1840 to 1990mm	1860mm	1860 to 2060mm	1840mm	1860mm
MANUAL BACKREST	x	x	○	●	x	x	x	x	x
LIFT-ASSIST BACKREST	x	x	x	x	●	x	x	x	x
MOTORISED BACKREST	x	x	x	○	x	●	●	x	x
MOTORISED SEAT TILT	x	x	x	x	x	●	●	x	x
MANUAL KNEE SECTION	x	x	x	x	x	x	x	x	x
LIFT-ASSIST KNEE SECTION	x	x	x	x	●	x	x	x	x
ADJUSTABLE HEAD CRADLE & ARMREST	x	●	●	●	○	●	●	x	x
LIFT-ASSIST ADJUSTABLE HEAD CRADLE & ARMREST	●	x	x	x	x	x	x	x	x
ADJUSTABLE HEAD SECTION	x	x	x	x	x	x	x	x	●
FACE HOLE	x	x	x	x	x	x	x	○	●
REMOVABLE PRONE ARMREST	x	○	○	○	x	○	○	x	x
FOLDAWAY ARMREST	x	x	x	x	○	x	x	x	x
MOTORISED RAISING MID-SECTION	x	x	●	x	x	x	x	x	x
RAISING LEG SECTION	x	x	●	○	x	x	x	x	x

## TABLE WIDTH

STANDARD	680mm	680mm	680mm	680mm	680mm	680mm	610 or 660mm	610 or 660mm
OPTIONAL	x	730mm	730mm	730mm	730mm	730mm	710mm	710mm

## TOP SHAPE

CONTOURED TOP	●	●	●	●	x	●	x	x
STRAIGHT-SIDED TOP	x	○	○	○	●	○	●	●

## CUSHIONING

DUNLOP STANDARD	x	●	●	●	●	●	●	●
DUNLOP ENDURO	x	○	○	○	○	○	○	○
DUNLOP LUXURA	x	○	○	○	○	○	○	○
DUNLOP COMFORT	x	x	x	x	○	x	x	x
DUNLOP FIRM	x	○	○	○	x	x	○	○
DUNLOP ULTRA FIRM	x	○	○	○	x	x	○	○
IMPORTED CUSHIONING	●	x	x	x	x	x	x	x

## KEY

- STANDARD
- OPTIONAL
- x NOT APPLICABLE

# Massage & Natural Therapies Range

## ACCESS, BEAUTY & VENUS COMPARISON

TABLE/MODEL	ACCESS STANDARD	ACCESS RMS	ACCESS ABR	BEAUTY S	VENUS	VENUS EXTEND
EXTENDABLE FOOTREST	○	○	○	×	×	●
BODY FILLER PADS	○	○	○	×	○	○
BACKREST EXTENSION	×	×	×	○	×	×
MANICURE ARMRESTS	×	×	×	○	○	○

## UPHOLSTERY

RANGE	VALUE-LIFT	PRO-LIFT
EVOLVE PU OR ENCORE PVC	×	●
ULTRA PU, ULTIMATE PVC OR GENUINE ITALIAN LEATHER	×	○
SEMI-PU FABRIC	●	×

## BASE STYLE

RANGE	VALUE-LIFT	PRO-LIFT
STANDARD BASE WITH IN-LINE WHEELS & LEVELLING FEET	×	●
75MM LOCKING CASTOR BASE	×	○
LEVELLING FEET & RETRACTABLE WHEELS	●	×

## MOTOR

LIFT FORCE	6,000N	10,000N
SPEED	12mm/sec	37mm/sec
HEIGHT ADJUSTMENT (MIN TO MAX)	295mm in 26 seconds	487mm in 13 secs
SAFE WORKING LOAD	165kg	220kg

## WARRANTY

STRUCTURAL	5 years	15 years
HARDWARE	3 years	5 years
MOTOR	2 years	3 years
CONTROL BOX	2 years	×
FOOTSWITCH	2 years	1 year
GAS STRUT	2 years	×
UPHOLSTERY	To arrive in perfect condition	To arrive in perfect condition
MOTOR WARRANTY UPGRADE (5 OR 10 YEARS)	×	○

## SECONDARY MOTOR (ACCESS RMS, ACCESS ABR & VENUS)

LIFT FORCE	4,000N
SPEED	11mm/sec
SAFE WORKING LOAD	220kg

FOOTSWITCH	●
ADDITIONAL FOOTSWITCH	○

## OPTIONAL EXTRAS

DISPOSABLE FACE CRADLE COVERS  
 DISPOSABLE TABLE COVER  
 FITTED TERRY TOWELLING COVER  
 LEG BOLSTER  
 ADDITIONAL FOOTSWITCH

## KEY

● STANDARD  
 ○ OPTIONAL  
 × NOT APPLICABLE



Marketed by:  
**Majac Medical Products Pty. Ltd.**  
 Tel: 1300 138 578 • Int: +61 7 3265 6355  
 Email: sales@majacmedical.com.au  
[www.majacmedical.com.au](http://www.majacmedical.com.au)



FS 540017

Also available from:

