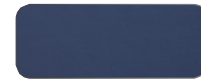


The All Electric exam couch is fully motorised for effortless adjustment of height, backrest and legrest.

- Height adjustment 460mm to 910mm
- 200kg Safe Working Load
- Super strong construction with a heavier base frame to prevent tipping
- Retractable wheels for easy mobility
- Levelling feet for perfect stability
- 5 Year frame warranty

Vinyl Colours:



Blue



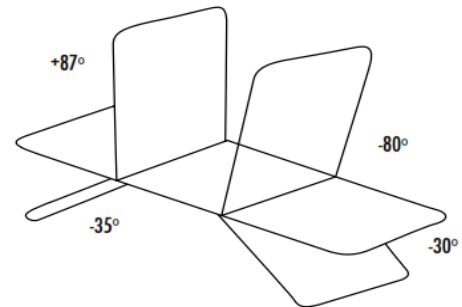
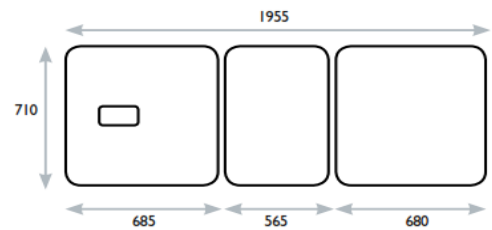
Grey

3 Section Couch with 1 Motor

- 2-Pedal footswitch for height adjustment
- Gas-strut assisted backrest & legrest
- True dual-backrest design where the legrest raises up 80° to become a backrest

Model I243MB Blue Vinyl

Model I243MG Grey Vinyl

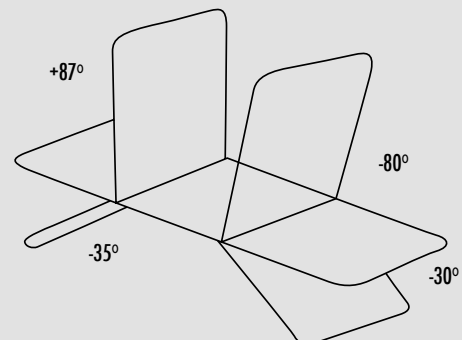
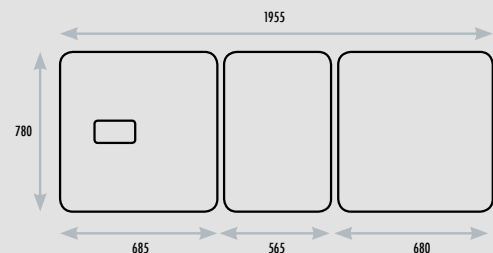


3 Section Couch with 3 Motors

- 3 motors for height, backrest and legrest adjustment
- 6-button hand switch controls all functions
- Additional foot switch controls the height only
- True dual-backrest design where the legrest raises up 80° to become a backrest.

Model I243EB Blue Vinyl

Model I243EG Grey Vinyl



LOOK:

3 Section couches have a True Dual-Backrest design where the legrest becomes a backrest Very handy for examining the right hand side of a patient when the couch is against the wall. You can turn the patient around and have them sitting up.

The all electric Bariatric Exam Couch has a 300kg Safe Working Load with a wider upholstered top.

- Height adjustment 460mm to 910mm
- 300kg Safe Working Load
- Super strong construction with a heavier base frame to prevent tipping
- Retractable wheels for easy mobility
- Levelling feet for perfect stability
- 5 Year frame warranty

Vinyl Colours:



Blue



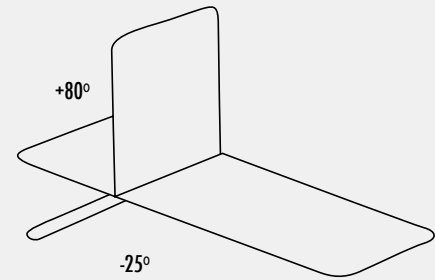
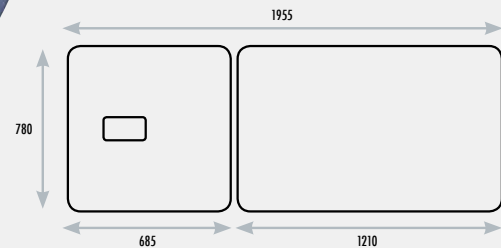
Grey

Bariatric 2 Section Hi-Lo Couch

- 2 Motors for height and backrest.
- 4 Button hand switch controls all functions.
- Additional 2-pedal foot switch controls height only.

Model I252EB Blue Vinyl

Model I252EG Grey Vinyl

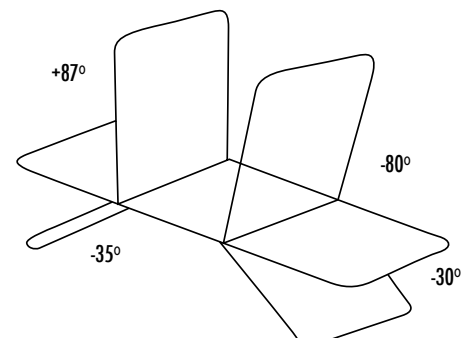
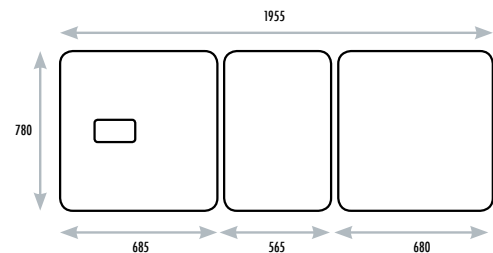


Bariatric 3 Section Hi-Lo Couch

- 3 Motors for height, backrest and legrest.
- True dual-backrest design where the legrest raises up 80° to become a backrest.
- 6-Button hand switch controls all functions.
- Additional foot switch controls the height only.

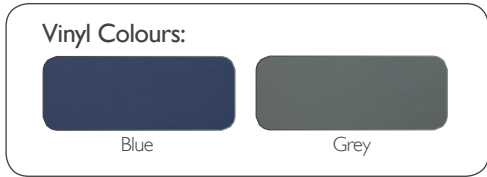
Model I253EB Blue Vinyl

Model I253EG Grey Vinyl

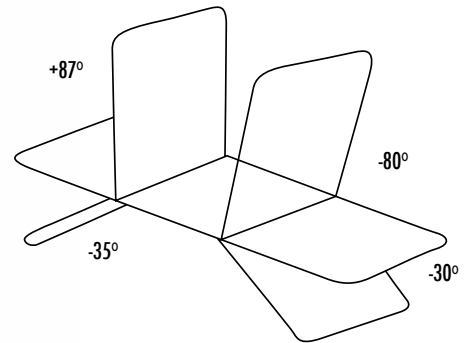
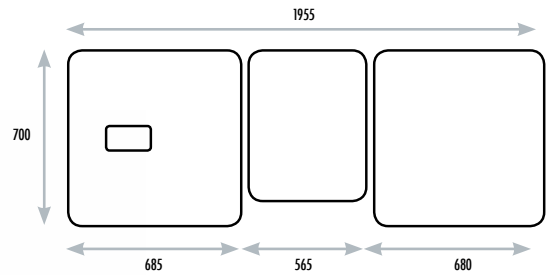


3 Section Hi-Lo Ultrasound Couch

- Cutout on patients right hand side when lying supine
- 2-Pedal footswitch for height adjustment, 460mm to 910mm
- Gas-strut assisted backrest & legrest
- True dual-backrest design where the legrest raises up 80° to become a backrest
- 200kg Safe Working Load
- Super strong construction with a heavier base frame to prevent tipping
- Retractable wheels for easy mobility
- Levelling feet for perfect stability
- 5 Year frame warranty



Model I243UB Blue Vinyl
Model I243UG Grey Vinyl



Hi-Lo Couch Options

Paper Roll Holder

Model I054

- Fits all Dalcross Hi-Lo couch models
- Chrome plated finish
- Attaches to couch base



Deluxe Disappearing Safety Sides (Set of 2)

Model I270

- Fits models I242M, I242E, I243M, I243E, I252, I253
- Tucks completely under couch top
- One hand operation



Majac Medical Products Pty Ltd

Ph: +617 3265 6355
Fax: +617 3865 2729
sales@majacmedical.com.au
www.majacmedical.com.au



FS 540017