

APOLIUM[®]



Majac Medical Products Pty Ltd

Ph: +617 3265 6355

Fax: +617 3865 2729

sales@majacmedical.com.au

www.majacmedical.com.au



FS 540017

APOLIUM® - YOUR NEW STANDARD IN PODIATRY CHAIR.

Made in France, Apolium is the first foot care chair **designed for and by** specialists in podiatry. Based on a large observational survey of foot care specialists-podiatrists, Apolium has been designed to **adapt seamlessly** to your work practice.

The ergonomics study on this chair has been used to develop the perfect shape that will ensure the patient's **comfortable natural positioning** and allow you to work calmly and carefully with greater ease and convenience. The chair's innovative design **improves its accessibility** with a minimum height of 51cm and encourages your patients to relax during their treatment.

To increase health and safety, Apolium's special design **goes beyond current standards**, by following medical rules and regulations: *no pinching, safety sensor, no risk of tipping, etc.*

DESIGN

- Chair shape studied to provide the human body with the most comfortable natural positioning possible, **reducing pressure** at surface contacts as far as is possible;
- Streamlined design that integrates easily into your work surroundings;
- Seamless, easy-to-clean upholstery;
- **Ease of accessibility for persons with limited mobility**, via the front or side of the chair;
- Excellent stability in all positions.

CONFORT

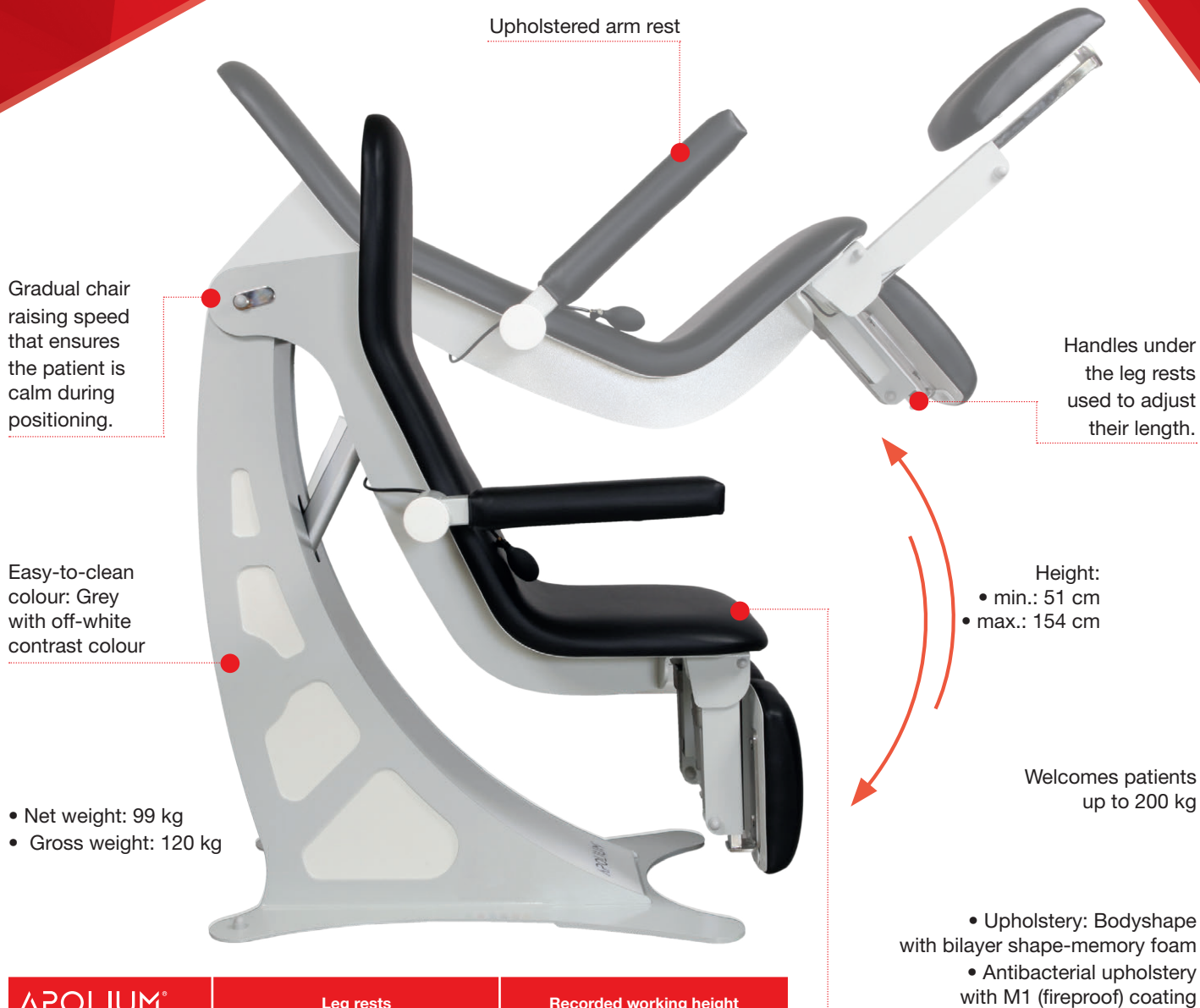
- Bilayer Bodyshape¹ upholstery **with shape memory** that helps the patient to relax;
- **Wireless intuitive foot pedal** that allows smooth movement tailored to the patient's need;
- **Customised programming** of your two favourite positions accessed with a single click;
- **Emergency battery** (optional) and pan as accessories;
- **Maximum cleaning and maintenance convenience** ensured by easy access to all exposed parts, the use of antibacterial and class-M1 fireproof upholstery, together with the appropriate protective accessories.

USE ERGONOMICS

- Low position down to 51 cm, **high position up to 154 cm**;
- Separate leg rests functional with adjustable depth (+ 20 cm) and spacing;
- First podiatry chair to be made fully **safe with no pinching areas and fitted with a safety sensor**;
- **Ergonomic controls**: chair height controlled via a wireless intuitive foot pedal with simple adjustment of leg rests.

¹Bodyshape: The patient is not repositioned when the chair is raised





APOLIUM®	Leg rests	Recorded working height
Ref. 2800-10	Mechanical	110 cm
Ref. 2800-20	Gas actuator	110 cm
Ref. 2800-30	Electric actuator	Customizable

• OPTIONS • ACCESSORY



Lumbar support system with inflator bulb actuated by the patient
Ref. 2880-01



Battery
Ref. 2892-01



Disposable leg protections sold in units of 100
Ref. 2804-01



Waste bag holder
Ref. 2874-01
10 rolls of 20 rubbish bags
Ref. 962



Crystal protection
Ref. 2806-01



Adjustable headrest
Ref. 2802-01



Roll holder
Max. width 50 cm, diam. 20 cm
Ref. 167-10

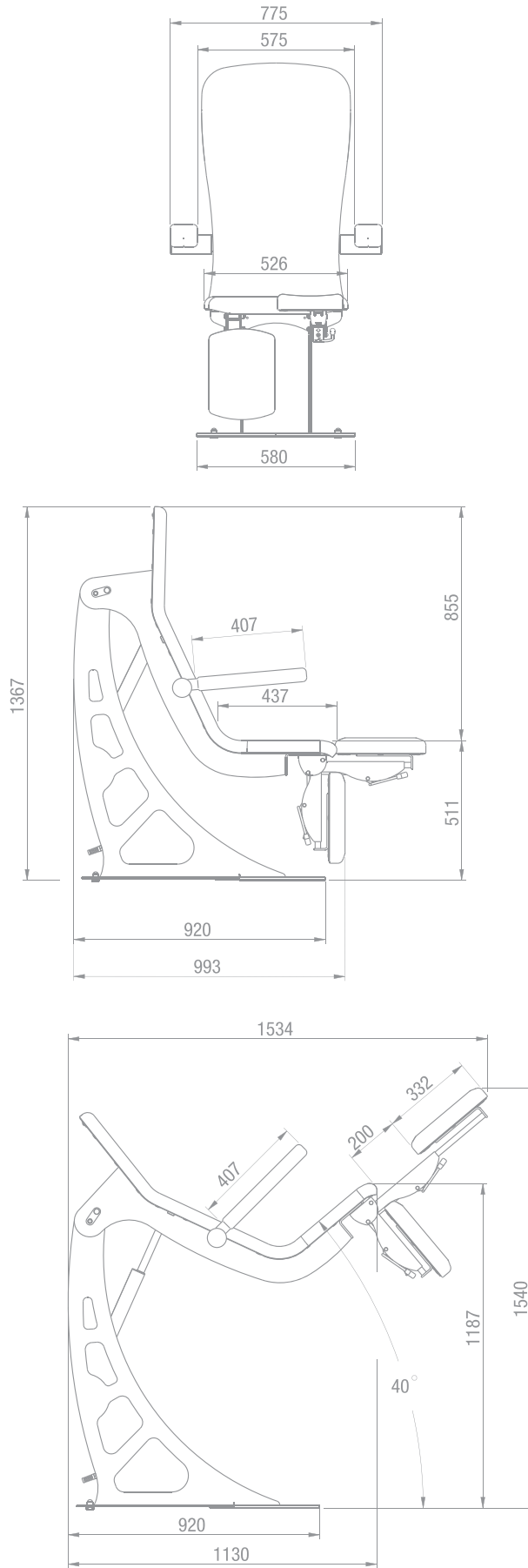


Clip-on stainless steel pan
Ref. 2864-10



Square, clip-on stainless steel pan
Ref. 2864-01

APOLLO[®]



AVAILABLE COLOURS

- | | | |
|--------------------|--|---------|
| 85 – SPRUCE | | NEW |
| 08 – PERSIMMON | | |
| 86 – COLONIAL BLUE | | |
| 87 – GLACIER | | |
| 88 – EXPRESSO | | |
| | | |
| 32 – BLUE | | CLASSIC |
| 93 – COTTAGE | | |
| 35 – RED | | |
| 34 – YELLOW | | |
| 91 – WHITE | | |
| 92 – MARINE | | |
| 56 – DARKNESS | | |
| 57 – ANTISTATIC | | |
| | | |
| 64 – GRAPE | | VITAMIN |
| 66 – SWEET | | |
| 63 – CEDRAT | | |
| 67 – LAGOON | | |
| | | |
| 80 – SKY | | COSY |
| 81 – SEA GREEN | | |
| 65 – LILAC | | |
| 96 – TIN | | |
| 82 – MOUSE GREY | | |
| 83 – NATURAL | | |
| 84 – CHOCOLATE | | |

Majac Medical Products Pty Ltd

Ph: +617 3265 6355

Fax: +617 3865 2729

sales@majacmedical.com.au

www.majacmedical.com.au



FS 540017

